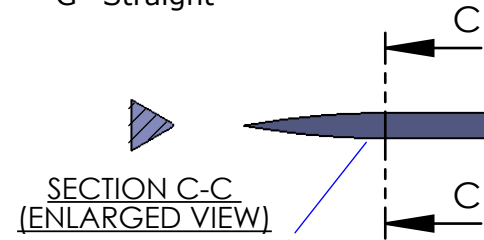


CHANNEL TYPE STRAIGHT BREAK-OFF NEEDLES

EXAMPLE OF NEEDLE CODE

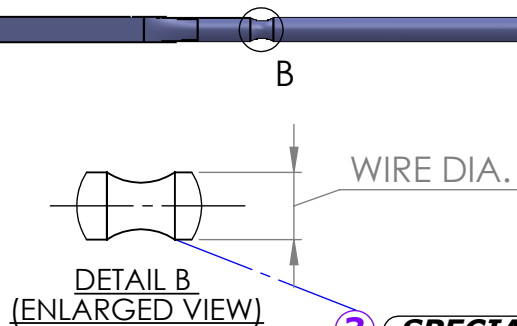
GSB 60 100 2 ASSS

1 SHAPE
G - Straight



2 POINT
S - Reverse cutting edge

1 2 3 4 5 6 7 8 9



3 SPECIAL FEATURE (IF REQD.)
B - With break-off groove

4 LENGTH
Length of needle (in mm)
44
60
63
89
92

5 WIRE SIZE
Wire dia. of needle in hundredths of mm.
88
100
112

7 GRADE OF STEEL
A - AISI 420

8 TYPE OF SUTURE
SS - Stainless steel wire

6 SUTURE SIZE
USP size
1-0
2-0
3-0



9 SILICONISED
S - Siliconised