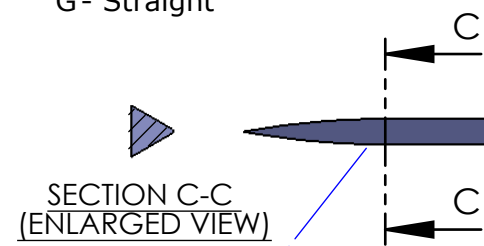


CHANNEL TYPE STRAIGHT BREAK-OFF NEEDLES

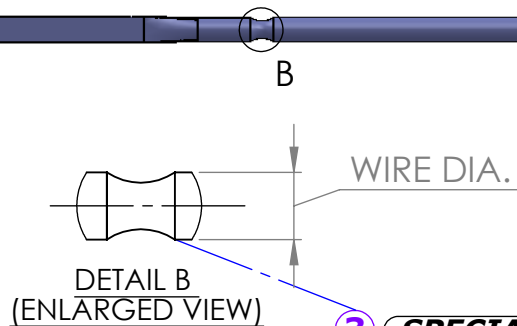
EXAMPLE OF NEEDLE CODE

GSB 60 100 2 ASSS

1 SHAPE
G - Straight



2 POINT
S - Reverse cutting edge



3 SPECIAL FEATURE (IF REQD.)
B - With break-off groove

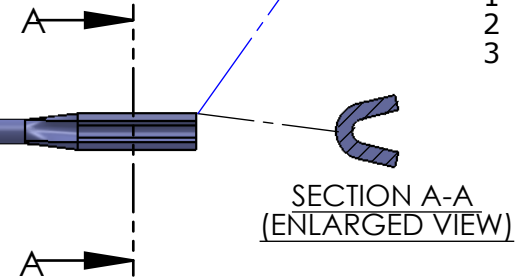
4 LENGTH
Length of needle (in mm)
44
60
63
89
92

5 WIRE SIZE
Wire dia. of needle in hundredths of mm.
88
100
112

7 GRADE OF STEEL
A - AISI 420

8 TYPE OF SUTURE
SS - Stainless steel wire

6 SUTURE SIZE
USP size
1
2
3



9 SILICONISED
S - Siliconised